

# BIG BLASTER® TYPHOON Air Cannon

The **BIG BLASTER® TYPHOON Air Cannon** features a hybrid valve concept that provides more force, uses less air, and simplifies maintenance in challenging applications with limited budgets.

The TYPHOON Air Cannon valve delivers more force output while using only half the air volume of the standard BIG BLASTER® XHV 20-30 Air Cannon.

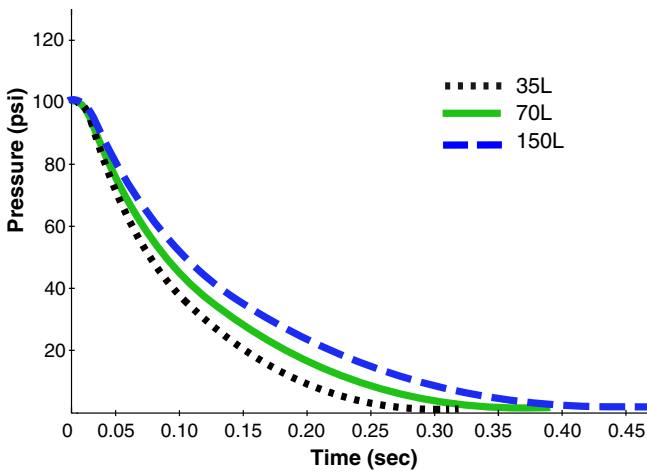
### BENEFITS

- More force output
- One-step maintenance
- Suitable for high-temperature applications

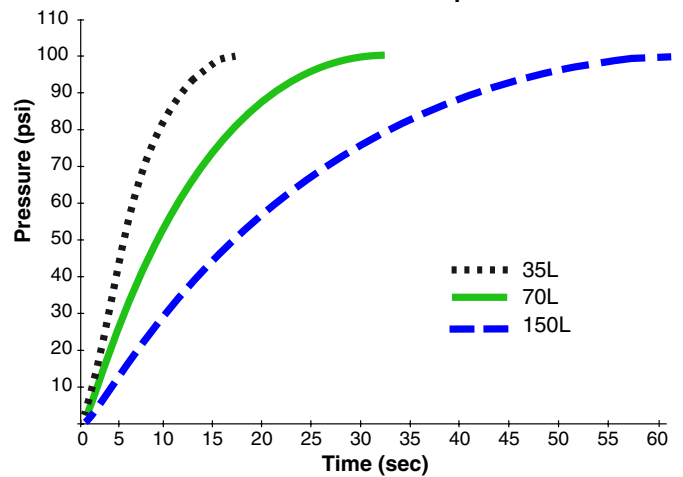


### PERFORMANCE DATA

Discharge Times @ 100 psi



Fill Times @ 100 psi

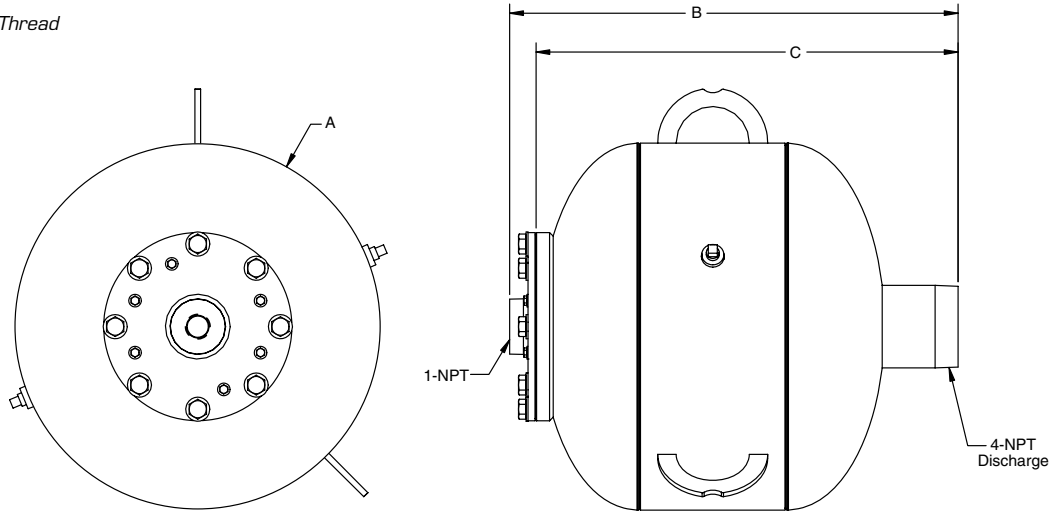


# TECHNICAL DATA SHEET

## DIMENSIONS

Model	P/N	Dim. A in. (mm)	Dim. B in. (mm)	Dim. C in. (mm)	Shipping Weight lb (kg)
TYPHOON	38005-35FD	16.00 (406)	21.44 (545)	20.00 (508)	72 (33)
TYPHOON	38005-70FD	20.00 (508)	28.43 (722)	18.75 (476)	88 (40)
TYPHOON	38005-150FD	24.00 (610)	32.19 (818)	30.75 (781)	124 (56)

NPT—National Pipe Thread



## AIR VOLUME IN FT<sup>3</sup> (LITERS) FREE AIR

Air Pressure PSI	38005-35FD ft <sup>3</sup> (L)	38005-70FD ft <sup>3</sup> (L)	38005-150FD ft <sup>3</sup> (L)
0	1.2 (35)	2.4 (70)	5.3 (150)
40	4.6 (130)	9.2 (260)	19.7 (558)
50	5.4 (153)	10.8 (308)	23.3 (660)
60	6.2 (176)	12.5 (355)	26.9 (762)
70	7.1 (201)	14.2 (403)	30.5 (864)
80	7.9 (224)	15.9 (450)	34.1 (966)
90	8.8 (249)	17.6 (498)	37.8 (1020)
100	9.6 (272)	19.2 (546)	41.4 (1172)
110	10.4 (294)	20.9 (593)	45.0 (1274)
120	11.3 (320)	22.6 (641)	48.6 (1376)

## NOTES

Tanks for BIG BLASTER® Air Cannons supplied by Martin Engineering are manufactured to ASME Code Rules, Section VIII, Division 1. Tanks are National Board registered and pressure vessel quality (PVQ).

For further information, contact Martin Engineering at 1-800-544-2947 or visit our website at [www.martin-eng.com](http://www.martin-eng.com).



### Martin Engineering USA

One Martin Place  
Neponset, IL 61345-9766 USA  
800 544 2947 or 309 852 2384  
Fax 800 814 1553  
[www.martin-eng.com](http://www.martin-eng.com)

Patents and patents pending, © Registered trademark of Martin Engineering Company in the US and other select locations.

QUALITY MANAGEMENT SYSTEM

CERTIFIED BY DNV

ISO 9001:2008

**Problem Solved™**

Form No. L3809-08/11

© Martin Engineering Company 2011