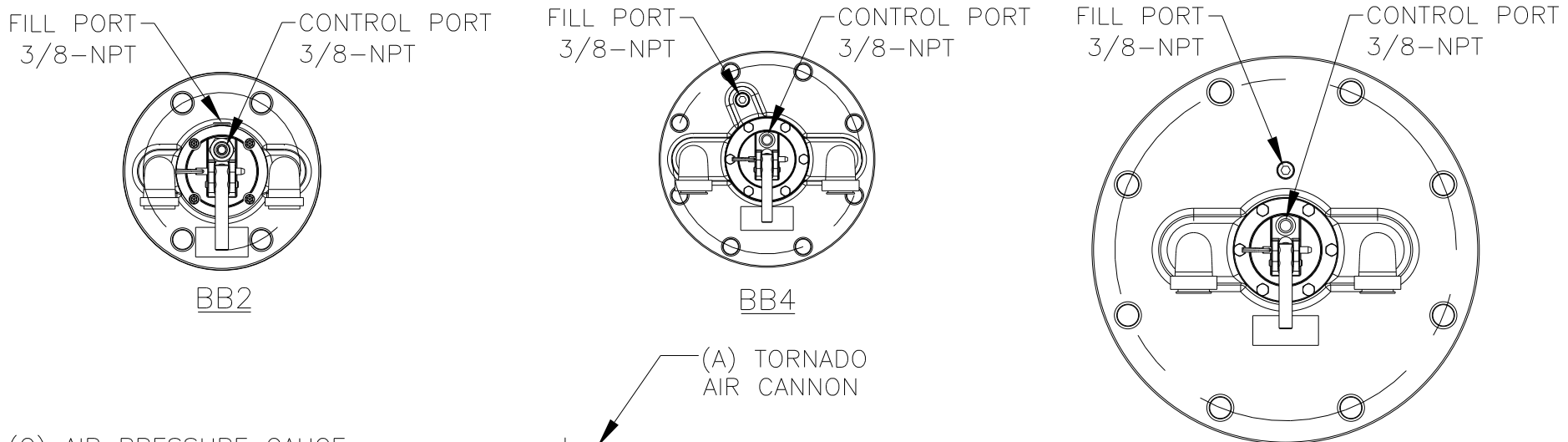
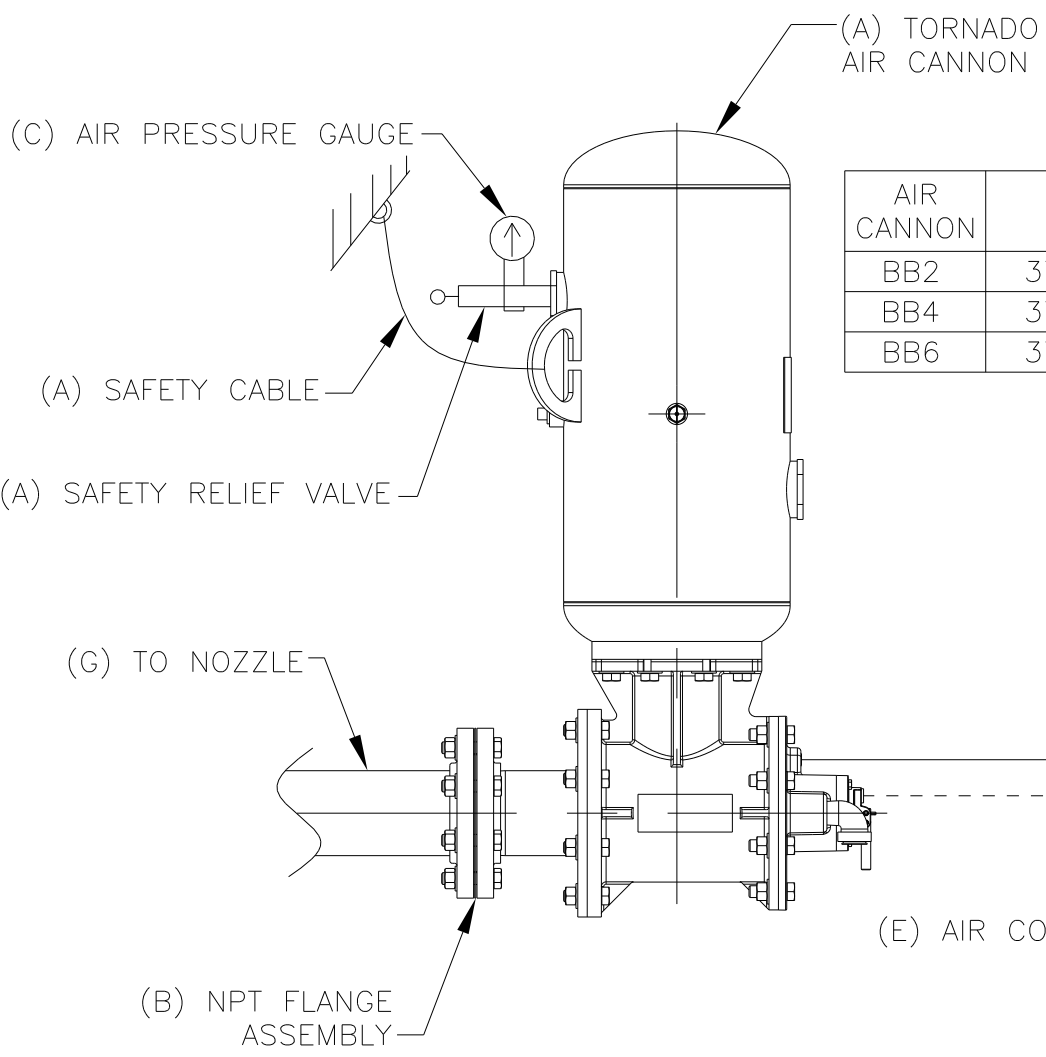


S50050-T-NO

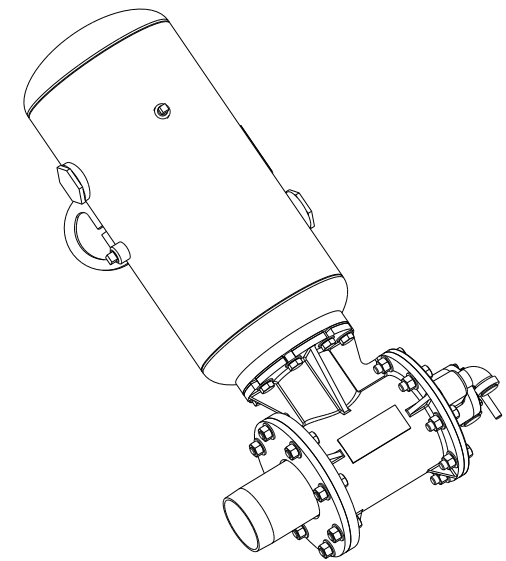
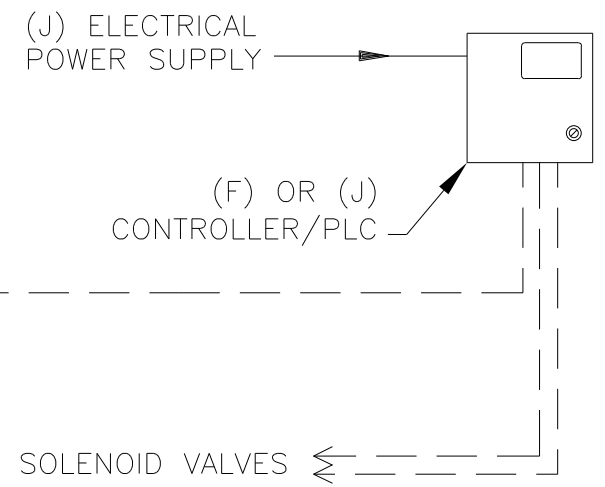


ITEM	DESCRIPTION	PART NUMBER
A	TORNADO AIR CANNON ASM	SEE CHART
B	BBAC SCREWED FLANGE ASM	SEE CHART
C	BBAC PLUMBING KIT 110V	37885-110
D	BBAC AIR FILL KIT 1/2-NPT	37890-XX
E	BBAC BRAIDED HOSE KIT 3/8-NPT	37892
F	AIR CANNON CONTROLLER	36756
G	SEE MARTIN ENGINEERING RECOMMENDATION	CONTACT MARTIN
H	BLACK PIPE 1/2 SCH 40	103008
J	EQUIPMENT BY OTHERS	BY OTHERS

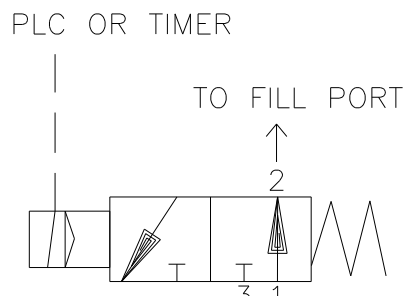
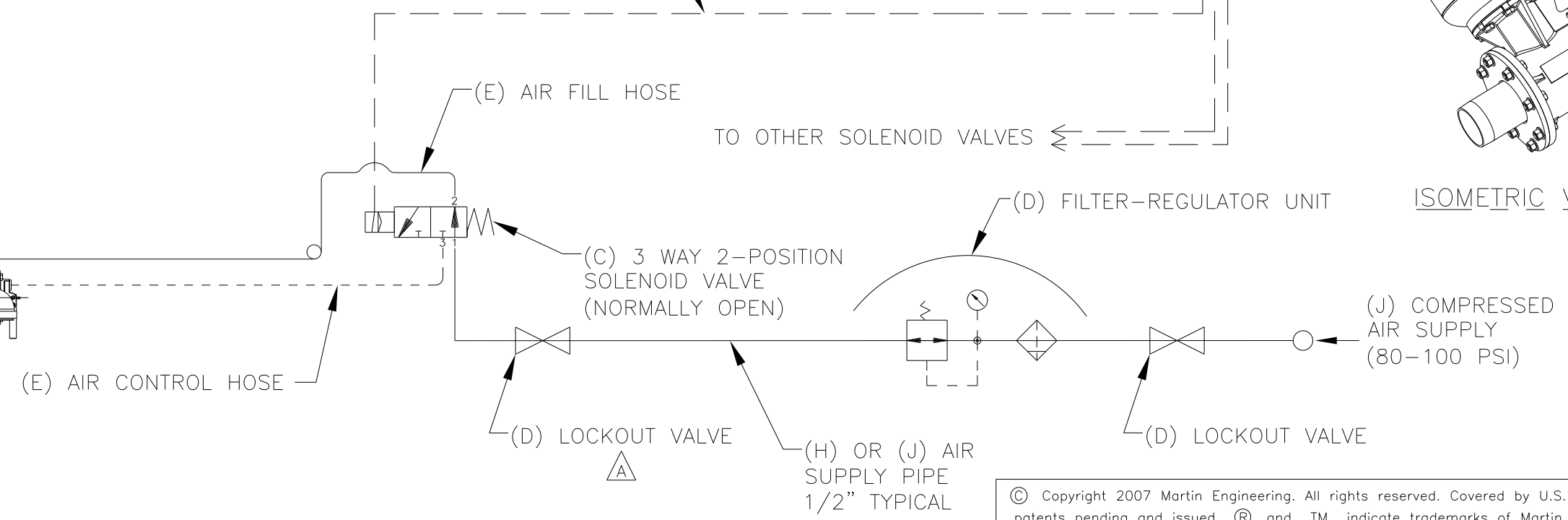


AIR CANNON	PART NO. ITEM A	PART NO. ITEM B
BB2	37864-XXXX	28315
BB4	37798-XXXX	25698
BB6	37853-XXXX	25752

BB6



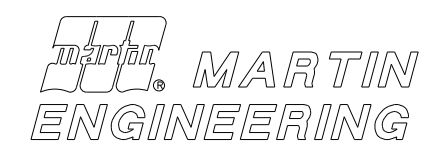
ISOMETRIC VIEW



SOLENOID PLUMBING DETAIL

NO.	DESCRIPTION	ECN	DATE	BY
A	MOVED LOCATION OF LOCKOUT VALVE	----	01/29/10	MJB
AutoCAD REVISION				

© Copyright 2007 Martin Engineering. All rights reserved. Covered by U.S. and foreign patents pending and issued. ® and TM indicate trademarks of Martin Engineering.



NEPONSET
ILLINOIS
USA

TITLE	SALES DRAWING	DRAWN RND
TORNADO XHV AIR CANNON PLUMBING ARRANGEMENT W/N.O. SOLENOID VALVE	MD0727	DATE 07/17/07
S50050-T-NO		CHECKED
		ENG. <i>MJB</i>
		DATE 07/23/07
		APPROVED <i>JFM</i>
		DATE 07/23/07
		SCALE NONE